

NVR-108LS-P8



Key Features

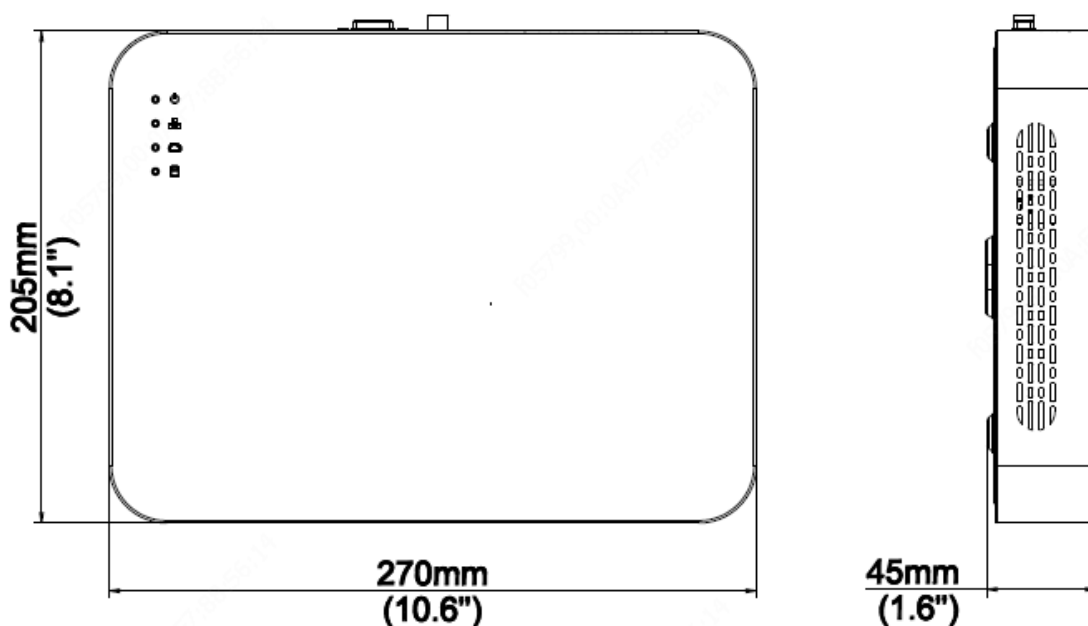
- Support Ultra 265/H.265/H.264 video formats
- 8-channel input
- Third-party IP cameras supported with ONVIF conformance: Profile S, Profile G, Profile T
- Support 1-ch HDMI, 1-ch VGA
- HDMI and VGA simultaneous output
- Up to 5MP resolution recording
- 1 SATA HDD up to 6TB
- Support cloud upgrade

Specifications

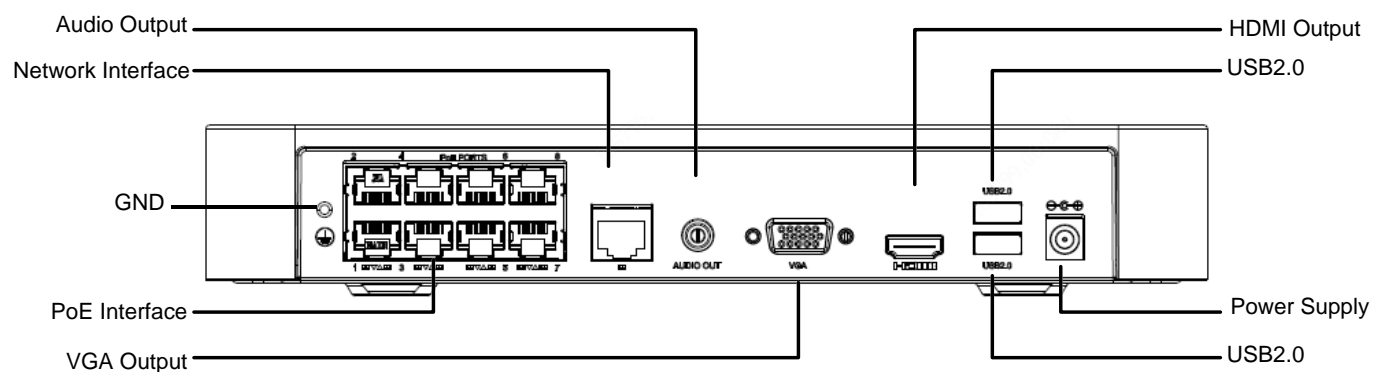
| Model | NVR-108LS-P8 |
|----------------------|---|
| Video/Audio Input | |
| IP Video Input | 8-ch |
| Network | |
| Incoming Bandwidth | 50Mbps |
| Outgoing Bandwidth | 40Mbps |
| Remote Users | 128 |
| Protocols | P2P, NTP, DHCP, PPPoE |
| Video/Audio Output | |
| HDMI/VGA Output | HDMI: 1920x1080p/60Hz, 1920x1080p/50Hz, 1600x1200/60Hz, 1280x1024/60Hz, 1280x720/60Hz, 1024x768/60Hz VGA: 1920x1080p/60Hz, 1920x1080p/50Hz, 1600x1200/60Hz, 1280x1024/60Hz, 1280x720/60Hz, 1024x768/60Hz |
| Recording Resolution | 5MP/4MP/3MP/1080p/960p/720p/D1/2CIF/CIF |

| | |
|---------------------------|--|
| Synchronous Playback | 8-ch |
| Corridor Mode Screen | 3/4/5/7/9 |
| Decoding | |
| Decoding format | Ultra 265/H.265/H.264 |
| Liveview/Playback | 5MP/4MP/3MP/1080p/960p/720p/D1/2CIF/CIF |
| Capability | 1 x 5MP@30, 2 x 4MP@25, 2 x 3MP@30, 4 x 1080p@25, 8 x 960p@25, 8 x 720p@30 |
| Hard Disk | |
| SATA | 1 SATA interface |
| Capacity | up to 6TB for each disk |
| External Interface | |
| Network Interface | 1 RJ45 10M/100M self-adaptive Ethernet Interface |
| USB Interface | Rear panel: 2 x USB2.0 |
| Supported Standard | IEEE 802.3at, IEEE 802.3af |
| External Interface | |
| Interface | 8 independent 100 Mbps PoE network interfaces |
| Max Power | Max 30W for single port Max 108W in total (13.5W for each) |
| Supported Standard | IEEE 802.3at, IEEE 802.3af |
| General | |
| Power Supply | 52V DC Power Consumption: ≤9 W (without HDD) |
| Working Environment | -10°C ~ +55°C (+14°F ~ +131°F), Humidity ≤ 90% RH (non-condensing) |
| Dimensions (W×D×H) | 270mm × 205mm × 45mm (10.6"×8.1"×1.6") |
| Weight (without HDD) | 0.8kg (1.76 lb) |

Dimensions



Rear Panel



www.uniview.com/uniarch

©2019 Zhejiang Uniview Technologies Co., Ltd. All rights reserved.

*Product specifications and availability are subject to change without notice.